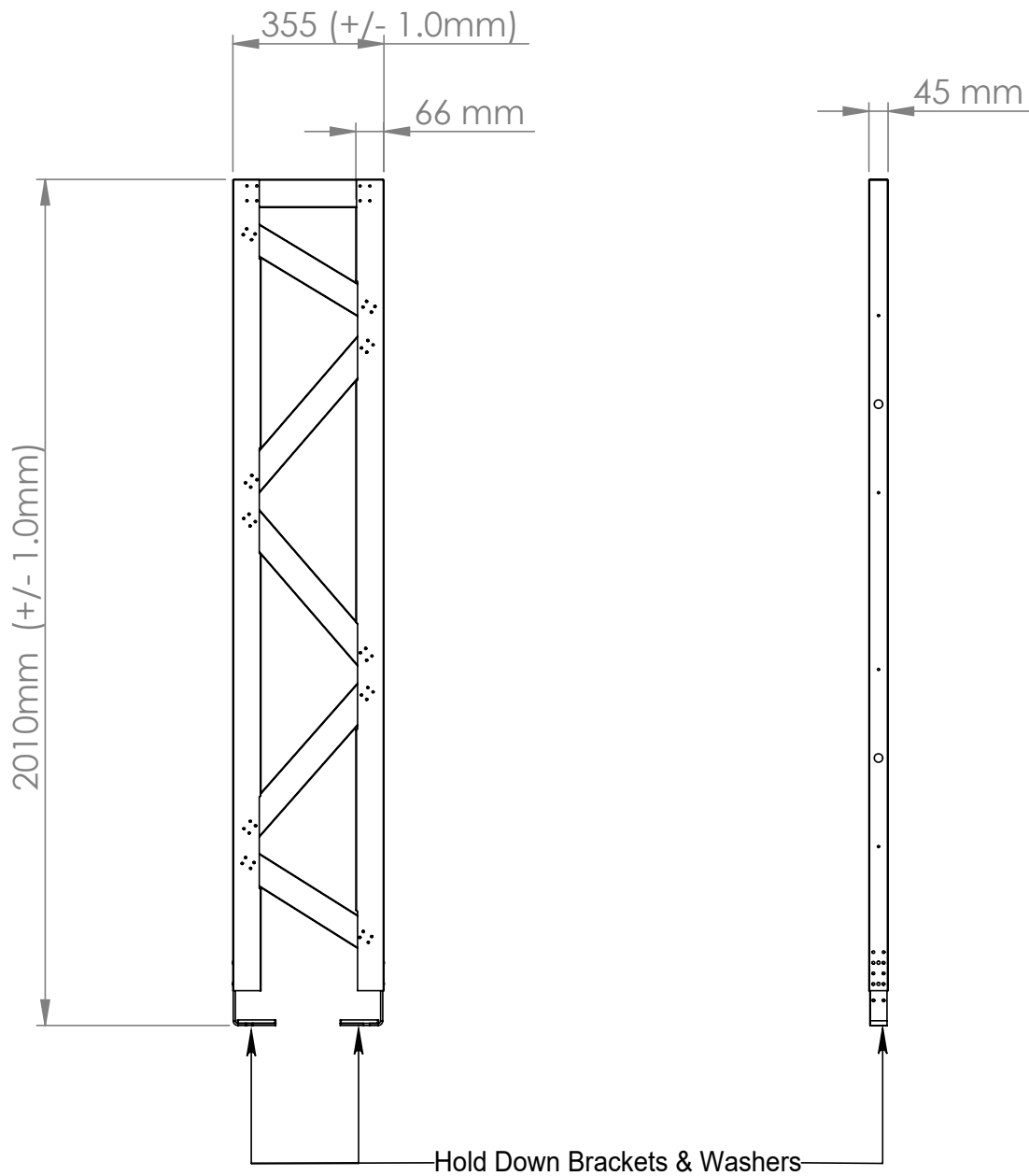


Gamma Bracing Frame GBF400S

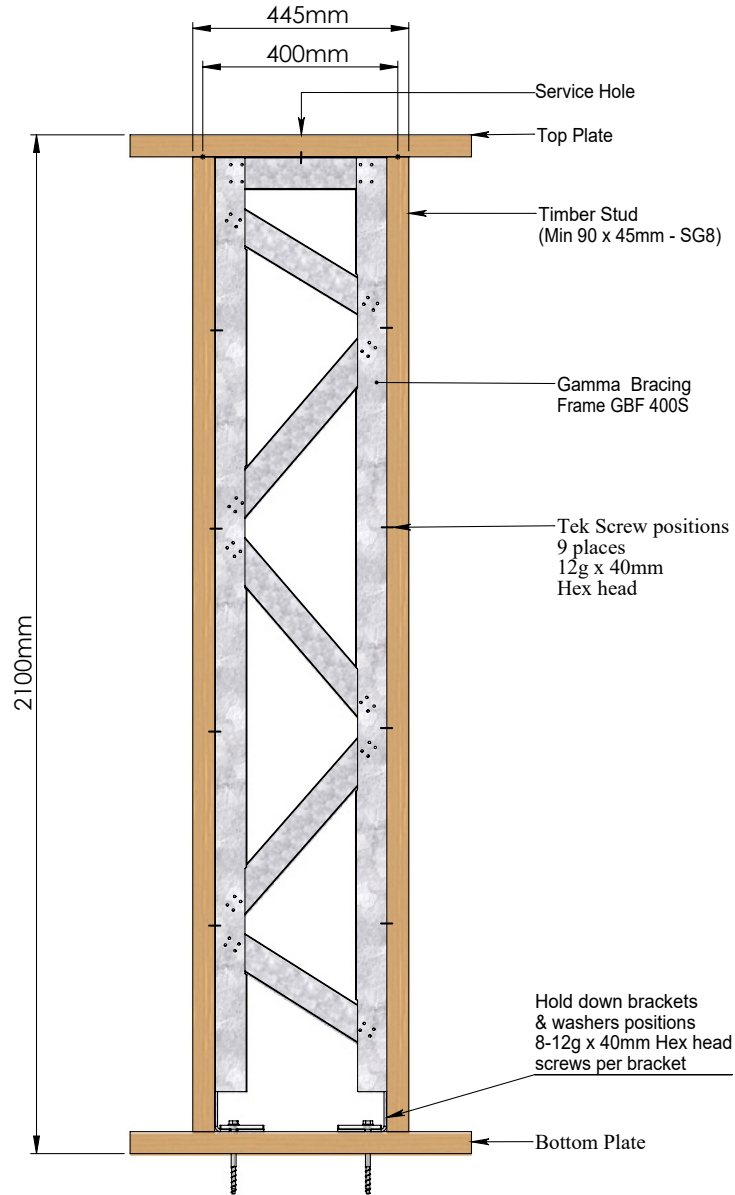


Detailed in the drawing below is the GBF400S as it is supplied, along with the GBF hold-down brackets, GBF washers, and Tek Screws. Timber framing and hold-down bolts are not supplied.



Detailed in the drawing below is the GBF400S as it must be constructed within the timber framing to provide the described wind and earthquake performance values.

Performance - Wind 45BU - Earthquake 55BU



SPECIFICATIONS	
SYSTEM REF	GBF400S
WIND BUs	45
EARTHQUAKE BUs	55
WALL HEIGHT (m)	2.1
WALL LENGTH (m)	0.445

GBF 400S COMPONENTS LIST	
QTY	COMPONENT
1	GBF 400S FRAME
2	GBF HOLD DOWN BRACKETS
2	GBF HOLD DOWN WASHERS
25	12g X 40mm TEK SCREWS
TIMBER FRAMING MIN OF 90 x 45mm SG8 (BY OTHERS)	