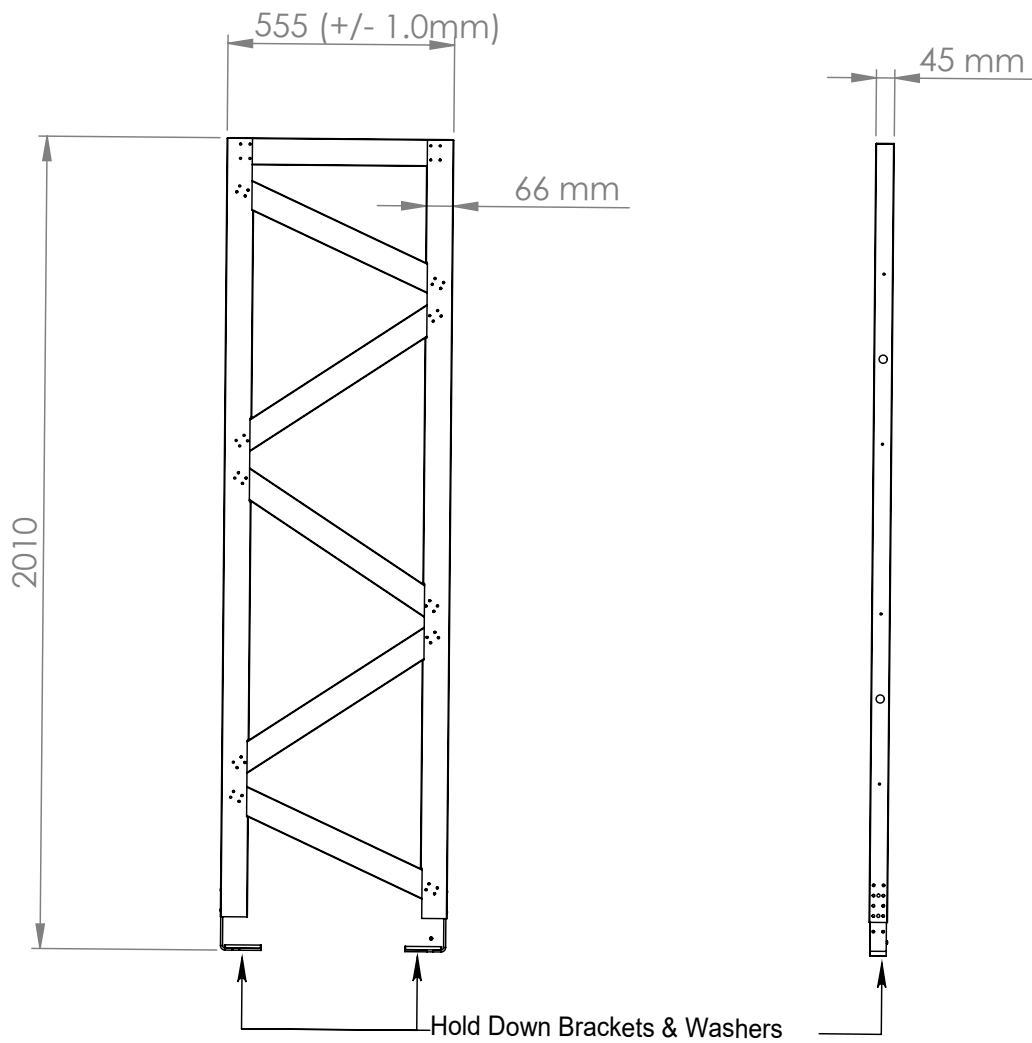


Gamma Bracing Frame GBF600S

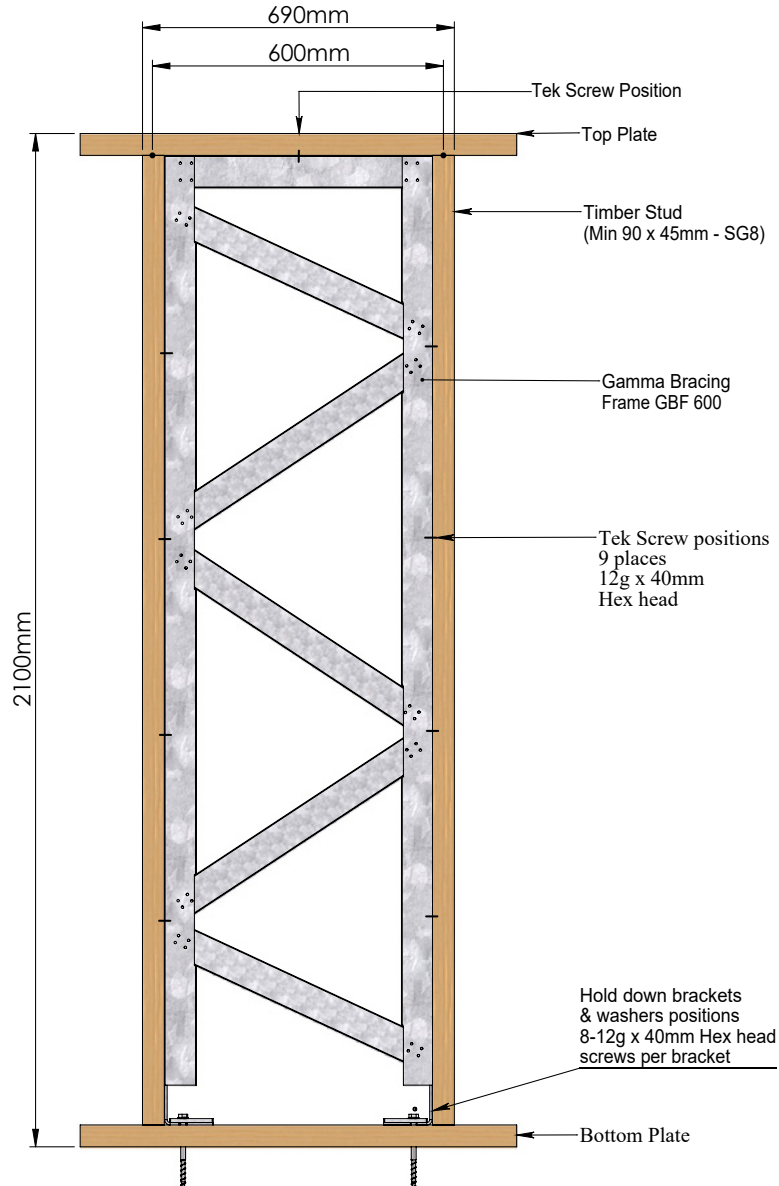


Detailed in the drawing below is the GBF600S as it is supplied, along with the GBF hold-down brackets, GBF Washers and TEK Screws. Timber framing and hold-down bolts are not supplied.



Detailed in the drawing below is the GBF600S as it must be constructed within the timber framing to provide the described wind and earthquake performance values.

Performance - Wind 84BU - Earthquake 90BU



SPECIFICATIONS	
SYSTEM REF	GBF600S
WIND BUs	84
EARTHQUAKE BUs	90
WALL HEIGHT (m)	2.1
WALL LENGTH (m)	0.690

GBF 600S COMPONENTS LIST	
QTY	COMPONENT
1	GBF 600S FRAME
2	GBF HOLD DOWN BRACKETS
2	GBF HOLD DOWN WASHERS
25	12g X 40mm TEK SCREWS
TIMBER FRAMING MIN OF 90 x 45mm SG8 (BY OTHERS)	