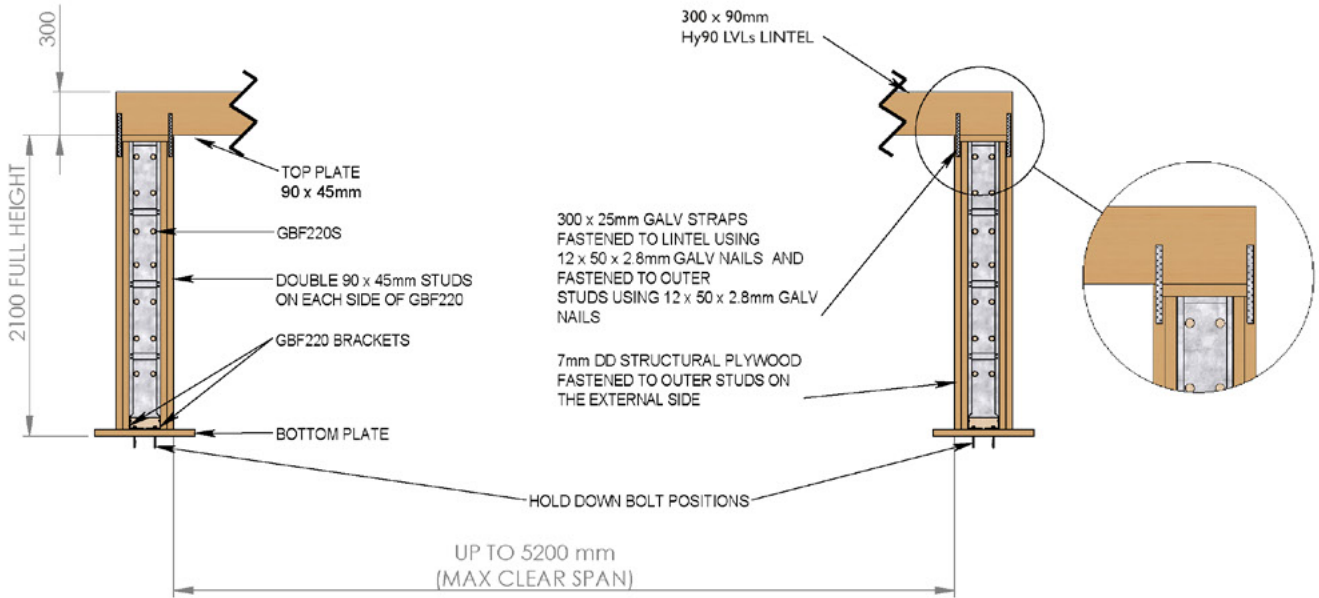
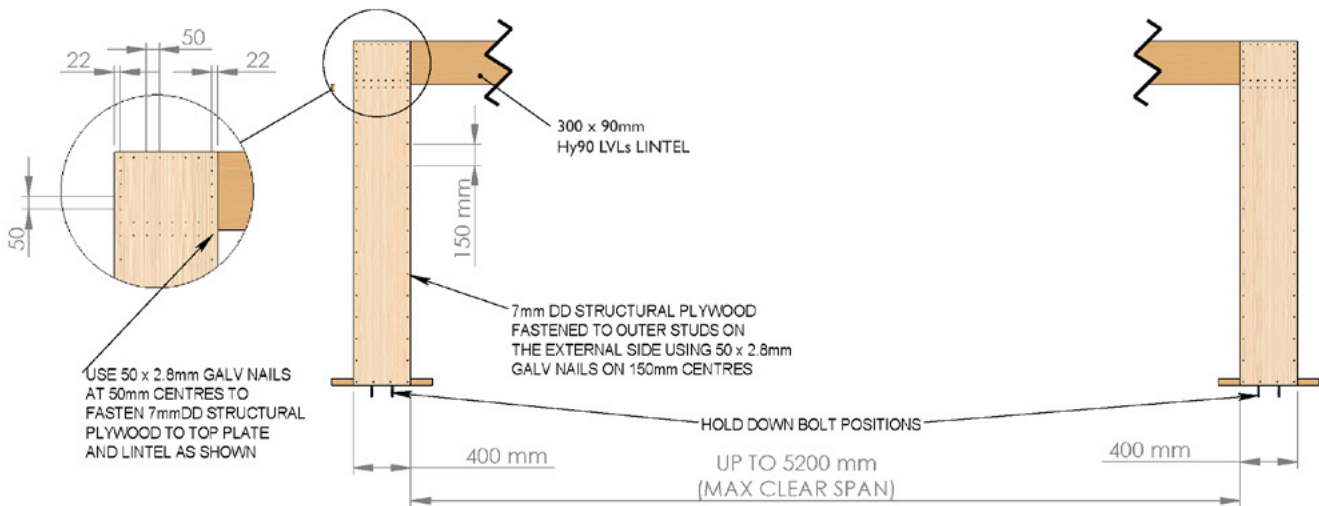


## GAMMA PORTAL (6.0 X 2.4m) INTERNAL SIDE SHOWN PERFORMANCE: WIND =124 BU's / EARTHQUAKE = 137 BU's

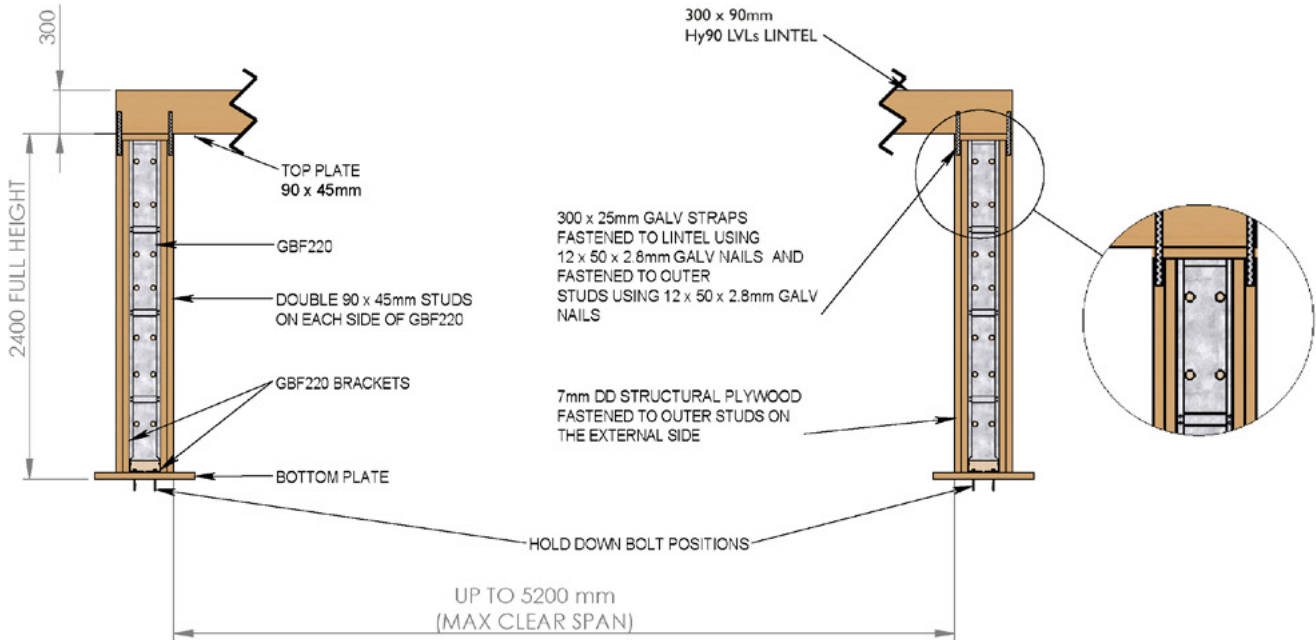


## GAMMA PORTAL (6.0 X 2.4m) EXTERNAL SIDE SHOWN PERFORMANCE: WIND =124 BU's / EARTHQUAKE = 137 BU's

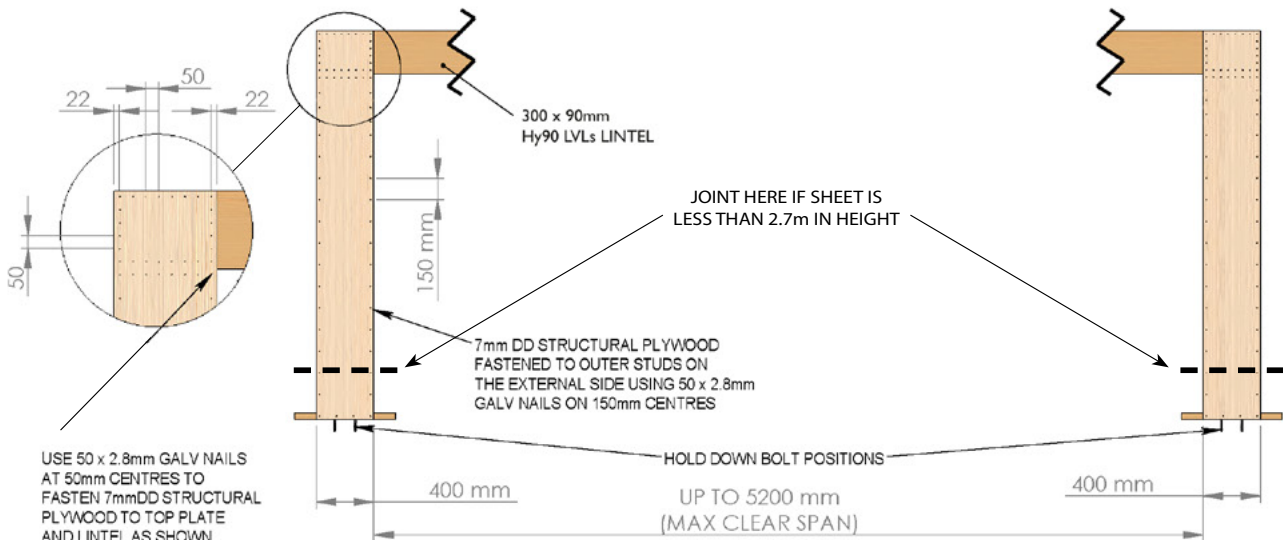


GBPF/2.4 COMPONENTS LIST	
QTY	COMPONENTS
2	GBF220S
4	GBF HOLD-DOWN BRACKETS
4	GBF HOLD-DOWN WASHERS
50	12g X 40mm TEK SCREWS
TIMBER FRAMING MIN OF 90 X 45mm AND 300 X 90 (BY OTHERS)	

## GAMMA PORTAL (6.0 X 2.7m) INTERNAL SIDE SHOWN PERFORMANCE: WIND = 110 BU's / EARTHQUAKE = 122 BU's



## GAMMA PORTAL (6.0 X 2.7m) EXTERNAL SIDE SHOWN PERFORMANCE: WIND = 110 BU's / EARTHQUAKE = 122 BU's



GBPF/2.7 COMPONENTS LIST	
QTY	COMPONENTS
2	GBF220
4	GBF HOLD-DOWN BRACKETS
4	GBF HOLD-DOWN WASHERS
50	12g X 40mm TEK SCREWS
TIMBER FRAMING MIN OF 90 X 45mm AND 300 X 90 (BY OTHERS)	